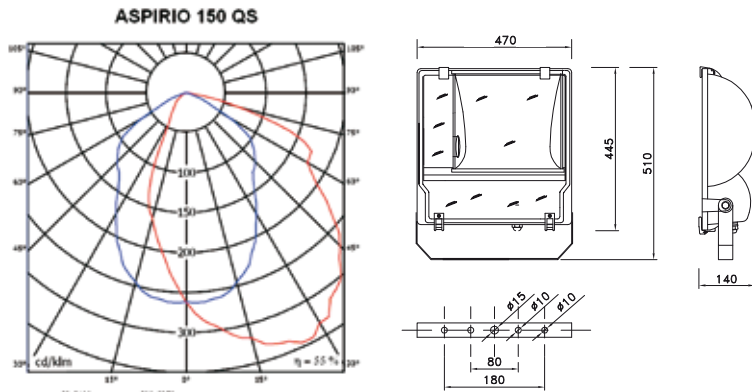


ECOLUXX ASPIRIO

Floodlight



ASPIRIO

Body:

Durable die-cast aluminium body with toughened glass front cover.
Stainless steel clips.

Optic:

Asymmetric highly polished aluminium reflector

Wiring:

- K compensated, ballast cat. B
- QS high pressure sodium or metal halide lamp (HPS, HQI)
- M mercury lamp (MBF)

Application:

High quality asymmetric floodlight for internal and external use.

Next information:

ASPIRIO floodlights are delivered without lamp. The right type of the lamp depends on components inside fitting – for info about recommended lamps visit our web sites www.ecoluxx.eu

	W	Ballast *	Ignitor	Lamp	Lampholder	Current A	kg
ASP150Q	1x150	NAHJ	Serial 3,5-4,5kV	HQI	E27	1,8	8,0
ASP150S	1x150	NAHJ	Serial 3,5-4,5kV	HPS	E40	1,8	8,0
ASP250QS	1x250	NAHJ	Serial 3,5-4,5kV	HPS, HQI	E40	3	9,0
ASP400QS	1x400	NAHJ	Serial 3,5-4,5kV	HPS, HQI	E40	4,6	10,0
ASP250Q/2,15A	1x250	M	Paralel 0,6-1kV	HQI	E40	2,15	9,0
ASP400Q/3,5A	1x400	M	Paralel 0,6-1kV	HQI	E40	3,5	10,0
ASP125M	1x125	M	-	MBF	E27		7,5
ASP250M	1x250	M	-	MBF	E40		8,5
ASP400M	1x400	M	-	MBF	E40		9,5

* - NAHJ – ballast for high pressure sodium or metal halide lamps
- M ballast for mercury vapour lamp