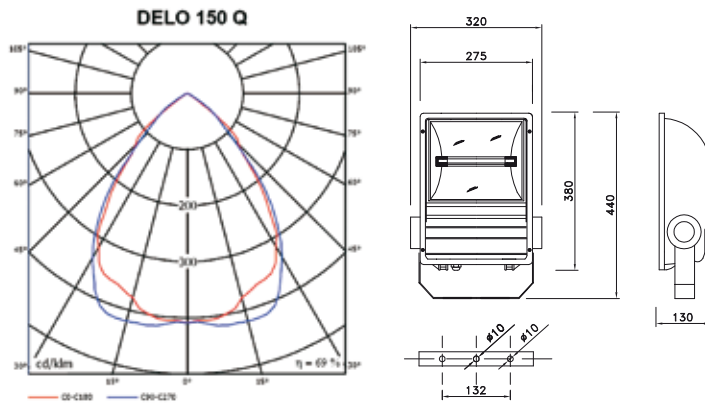


ECOLUXX DELO

Floodlight



DELO AS

Body:

Durable die-cast aluminium body with toughened glass front cover

Optic:

Symmetric highly polished aluminium reflector
 AS highly polished asymmetric aluminium reflector

Wiring:

Compensated, ballast cat. B
 Q metal halide lamp (HQI)
 S high pressure sodium (HPS)

Application:

High quality floodlight for internal and external use.

Type	Order code	W	Lampholder	kg
DELO 70Q	OZDE70Q	1x70	RX7s	5,3
DELO 150Q	OZDE150Q	1x150	RX7s	6,0
DELO 250Q	OZDE250Q	1x250	FC2	6,9
DELO 70S	OZDE70S	1x70	E27	5,3
DELO 150S	OZDE150S	1x150	RX7s	5,3
DELO 70Q	OZDE70Q	1x70	RX7s	5,3
DELO 150Q	OZDE150Q	1x150	RX7s	6,0
DELO 250Q	OZDE250Q	1x250	FC2	6,9
DELO 70S	OZDE70S	1x70	E27	5,3
DELO 150S	OZDE150S	1x150	RX7s	5,3

* – dimension without holder (with holder)