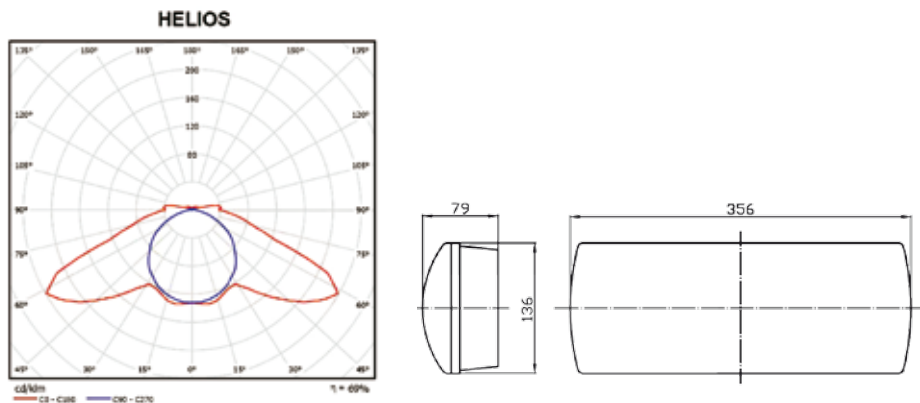


ECOLUXX HELIOS, HELIOS LED

Emergency light unit



Body:

White polycarbonate body

Optic:

Polycarbonate pellucid cover

Polycarbonate opal cover – LED version

Application:

Surface mounted luminaire for emergency lighting of escape ways.

Accessories:

Pictograms PIK

Versions:

- SE non-maintained
- SA maintained
- AT autotest
- PT manual test button
- RS RUBIC monitoring system

Next information:

The luminaire is delivered without pictogram, it must be ordered separately.



HELIOS

Typ / type	IP	Order code	&	#	W	H	lm
HELIOS 8	IP42	OZAWHE1&#	SE, SA	AT, PT, RS	1x8 T5	1	130
		OZAWHE3&#	SE, SA	AT, PT, RS	1x8 T5	3	110
	IP65	OZAWH1&#	SE, SA	AT, PT, RS	1x8 T5	1	130
		OZAWH3&#	SE, SA	AT, PT, RS	1x8 T5	3	110
HELIOS 11	IP42	OZAWHE1&11#	SE, SA	AT, PT, RS	1x11 TC-S	1	200
		OZAWHE3&11#	SE, SA	AT, PT, RS	1x11 TC-S	3	180
	IP65	OZAWH1&11#	SE, SA	AT, PT, RS	1x11 TC-S	1	200
		OZAWH3&11#	SE, SA	AT, PT, RS	1x11 TC-S	3	180
HELIOS 18	IP42	OZAWHE1&18#	SE, SA	AT, PT, RS	1x18 TC-L	1	250
		OZAWHE3&18#	SE, SA	AT, PT, RS	1x18 TC-L	3	230
	IP65	OZAWH1&18#	SE, SA	AT, PT, RS	1x18 TC-L	1	250
		OZAWH3&18#	SE, SA	AT, PT, RS	1x18 TC-L	3	230
HELIOS LED	IP42	OZAWHEL1&#	SE, SA	PT	LED 96cd	1	
		OZAWHEL3&#	SE, SA	PT	LED 96cd	3	
	IP65	OZAWHL1&#	SE, SA	PT	LED 96cd	1	
		OZAWHL3&#	SE, SA	PT	LED 96cd	3	

& - operating mode specification

- next specification