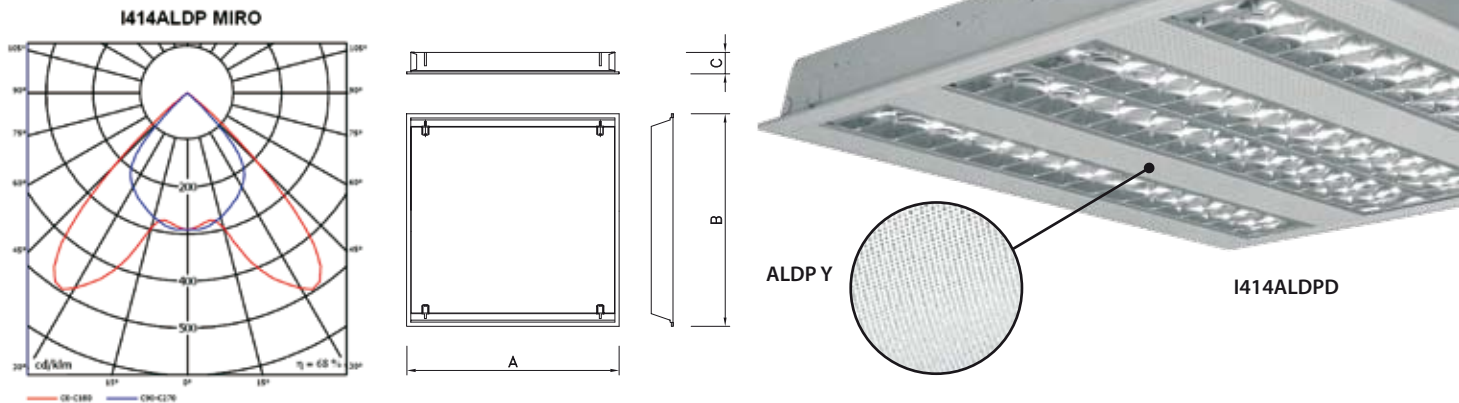


## ECOLUXX I T5, model D

### Recessed light fittings for T5 lamps



#### Body:

White painted (RAL 9003) metal sheet

#### Optic:

ALDP double parabolic louvre category 2 of highly polished aluminium

MATDP double parabolic louvre category 2 of mat aluminium

#### Wiring:

EP high frequency ballast (standard)

EPSA HFB analogue dimmable 1–10 V

EPSD HFB digital dimmable

#### Application:

Recessed light fitting for installation into false ceiling with visible supporting structure (600x600 / 625x625 modules) or gypsum plasterboard.

These fittings are recommended for offices, for lighting areas with high requirements for light and glare control.

#### Accessories:

Fixing clips for installation into gypsum plasterboard – 54214

Reduction frame for installing the 600 module light fitting into the 625 module frame

#### Versions:

600 for 600 module

625 for 625 module

K with WIELAND connector

F with flexible cord

NZ emergency pack



OK 2 circuit wiring

Y perforated cover

MIRO louvre made of MIRO aluminium


RAL9006 finished in RAL 9006



	&	#	W	Modul 600			Modul 625			C	kg
				A	B		A	B			
I414(24)&D#	ALDP, MATDP	600, 625, K, F, NZ, OK, ...	4x14(24)	596	596	576x576	622	622	602x602	60	3,7
I428(54)&D#	ALDP, MATDP	600, 625, K, F, NZ, OK, ...	4x28(54)	1196	596	1176x576	1246	622	1226x602	60	6,5
I435(49)&D#	ALDP, MATDP	600, 625, K, F, NZ, OK, ...	4x35(49)	1496	596	1476x576	1546	622	1526x602	60	8,5

& – use louvre type

# – add to the basic code

 – cut out