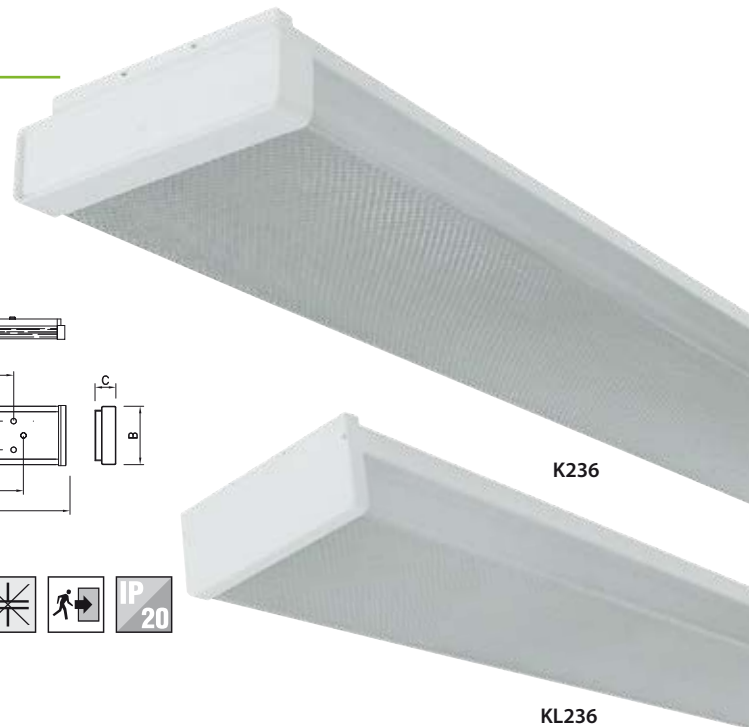
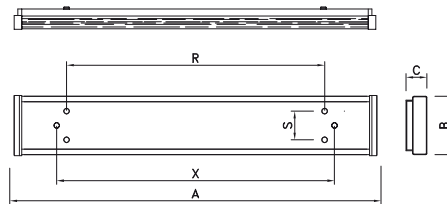
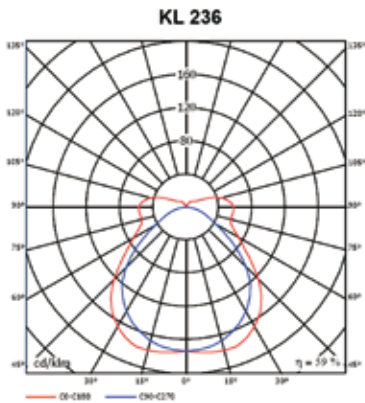


ECOLUXX K, KL

Surface mounted light fittings



Body:

White painted (RAL 9003) metal sheet

Optic:

KLO opal acrylic cover
KL, K prismatic acrylic cover

Wiring:

N uncompensated, ballast cat. B
K compensated, ballast cat. B
EP high frequency ballast
EPSA HFB analogue dimmable 1–10 V
EPSD HFB digital dimmable

Application:

These light fittings can be used for surface mounting or suspension.

Accessories:

Tube suspension 54107, 54108, 54109, 54110, 54111, 54112
Cord suspension 54103
Protection grid OM

Versions:

NZ emergency pack

Note:

Recommended as surface mounted fitting. When the light fittings are suspended, they should be hung by 4 cords or tubes.

	#	W	A	B	C	X	Y	R	S	kg
KL236#	N, K, EP, NZ, P	2x36	1234	175	71	800	100	900	100	3,6
KL258#	N, K, EP, NZ, P	2x58	1534	175	71	1000	100	1100	100	5,2
KLO236#	N, K, EP, NZ, P	2x36	1234	175	71	800	100	900	100	3,6
KLO258#	N, K, EP, NZ, P	2x58	1534	175	71	1000	100	1100	100	5,2

	#	W	A	B	C	X	Y	R	S	kg
K118#	N, K, EP, NZ, P	1x18	652	88	99	500	0	400	0	1,5
K218#	N, K, EP, NZ, P	2x18	652	204	71	500	0	400	100	2,0
K136#	N, K, EP, NZ, P	1x36	1262	88	99	800	0	900	0	2,3
K236#	N, K, EP, NZ, P	2x36	1262	204	71	800	0	900	100	3,8
K158#	N, K, EP, NZ, P	1x58	1562	88	99	1000	0	1100	0	3,0
K258#	N, K, EP, NZ, P	2x58	1562	204	71	1000	0	1100	100	5,4

– add to the basic code