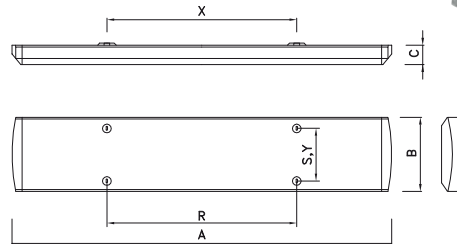
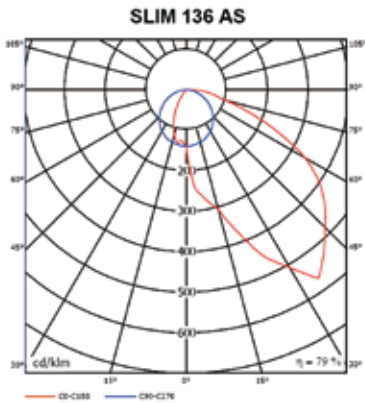
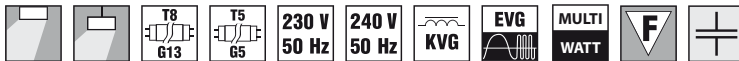


ECOLUXX SLIM AS

Surface mounted or suspended light fittings with asymmetric reflector



SLIM AS



Body:

White painted (RAL 9003) metal sheet with plastic endcaps

Optic:

AS highly polished asymmetric aluminium reflector

Wiring:

- compensated, ballast cat. B (standard wiring)
- EP high frequency ballast
- EPSA HFB analogue dimmable 1-10 V
- EPSD HFB digital dimmable

Application:

These light fittings can be used for surface mounting or suspension, they are recommended especially for classrooms – illumination of blackboards

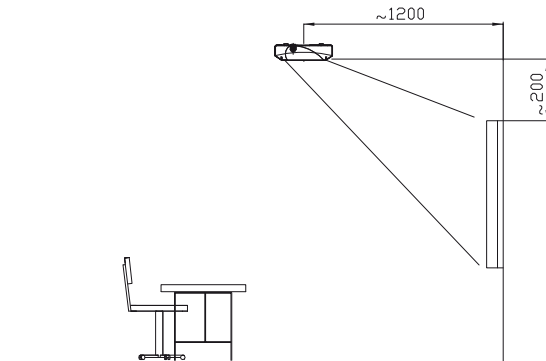
Accessories:

- Cord suspension 54103
- Connection part SLIM 2x 1332004007 – element for connecting SLIM to the straight rows

Versions: P continuous assembly (through wiring) 3 phasis

Note:

When the light fittings are suspended, they must be hung by 4 cords or tubes.



	#	W	A	B	C	X	Y	R	S	kg
SLIM136AS #	P	1x36	1300	255	75	650	156	650	156	3,7
SLIM158AS #	P	1x58	1600	255	75	800	156	800	156	4,9
SLIM128 (54)AS #	P	1x28 (54)	1255	255	75	650	156	650	156	3,3
SLIM135 (49)AS #	P	1x35 (49)	1555	255	75	800	156	800	156	4,0

– add to the basic code
R,S– dimension for pendant mounting