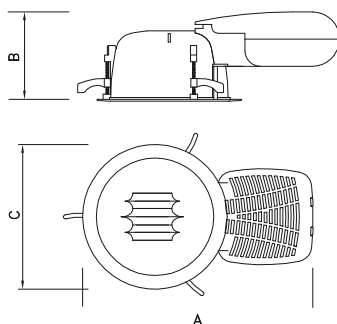
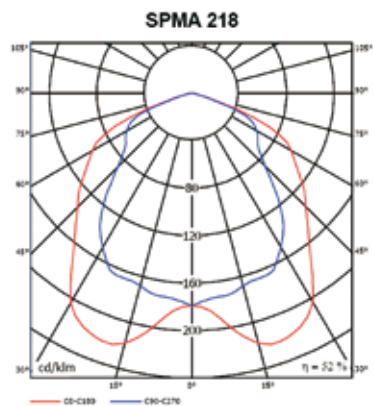


# ECOLUXX SPMA

## Recessed downlight



**Body:**

Plastic gear box. Plastic white decorative ring.

**Optic:**

Metalized polycarbonate reflector

**Wiring:**

- N uncompensated, ballast cat. B
- K compensated, ballast cat. B
- EP high frequency ballast
- EPSA HFB analogue dimmable 1-10 V
- EPSD HFB digital dimmable

**Application:**

Recessed fullplastic downlight for installation into false ceiling.

**Accessories:**

- Metalized louvre 4334995
- Fresnel lens 413400011
- Polycarbonate cover 413400031
- Decorative ring chrome 4334062
- Decorative ring gold 4334063

**Versions:**

- NZ emergency pack (only for fittings with electronic ballast)

**Note:**

ADVICE:  
The polycarbonate cover (413400031) can be used in ECOLUXX SPMA 1x13 W, 2x13 W, 1x18 W, 2x18 W or for IP44. This cover must not be used with others versions SPMA (due to high temperature).

	#	W	A	B	C		kg
SPMA113 #	N, K, EP, NZ	1x13	370	140	220	200	0,99
SPMA118 #	N, K, EP, NZ	1x18	370	140	220	200	0,99
SPMA126 #	N, K, EP, NZ	1x26	370	140	220	200	1,22
SPMA132 #	N, K, EP, NZ	1x18	370	140	220	200	0,78
SPMA142 #	N, K, EP, NZ	1x36	370	140	220	200	0,78
SPMA213 #	N, K, EP, NZ	2x13	370	140	220	200	1,34
SPMA218 #	N, K, EP, NZ	2x18	370	140	220	200	1,34
SPMA226#	N, K, EP, NZ	2x26	370	140	220	200	1,79

# - add to the basic code