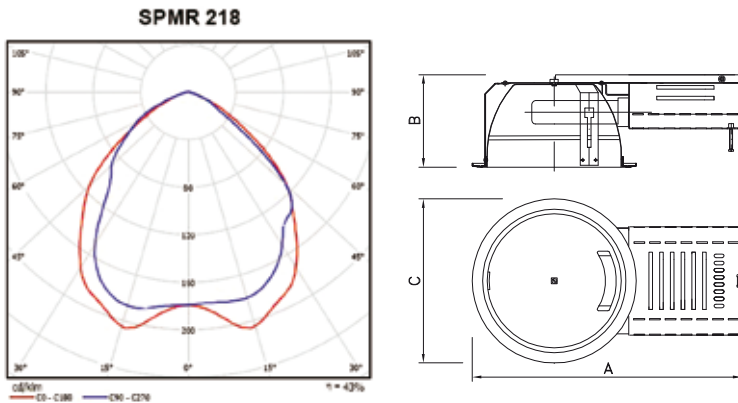


# ECOLUXX SPMR

## Recessed downlight



### Body:

Zinc-coated steel sheet, white painted gear box, white aluminium ring.

### Optic:

– highly polished aluminium louvre – turbo raster R6

### Wiring:

N uncompensated, ballast cat. B  
 K compensated, ballast cat. B  
 EP high frequency ballast  
 EPSA HFB analogue dimmable 1–10 V  
 EPSD HFB digital dimmable

### Application:

Recessed downlight for installation into false ceiling.

### Versions:

NZ (only for fittings with electronic ballast)

	#	W	A	B	C		kg
SPMR113#MB200	N, K, EP	1x13	370	140	225	210	1,4
SPMR118#MB200	N, K, EP	1x18	370	140	225	210	1,6
SPMR126#MB200	N, K, EP	1x26	370	140	225	210	1,7
SPMR132EPMB200		1x32	370	140	225	210	1,3
SPMR142EPMB200		1x42	370	140	225	210	1,3
SPMR213#MB200	N, K, EP	2x13	370	140	225	210	1,9
SPMR218#MB200	N, K, EP	2x18	370	140	225	210	2
SPMR226#MB200	N, K, EP	2x26	370	140	225	210	2,1
SPMR232EPMB200		2x32	370	140	225	210	1,4
SPMR242EPMB200		2x42	370	140	225	210	1,4

# - add to the basic code