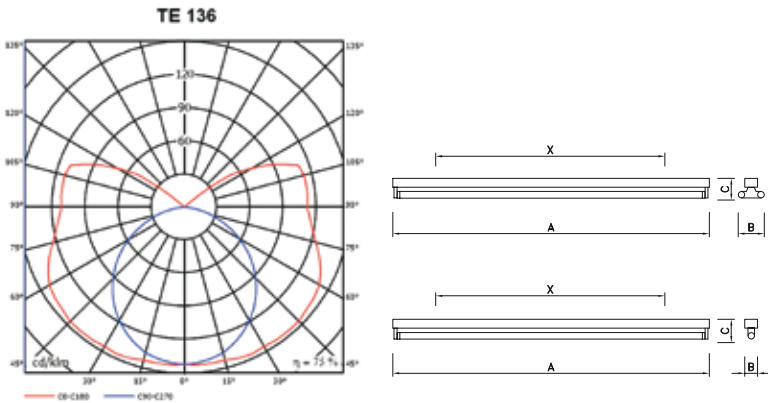


ECOLUXX TP, TE, TE/3K

Industrial light fittings with IP20



Body:

White painted (RAL 9003) metal sheet

Wiring:

- N uncompensated, ballast cat. B
- K compensated, ballast cat. B
- EP high frequency ballast
- EPSA HFB analogue dimmable 1–10 V
- EPSD HFB digital dimmable

Application:

Surface mounted or suspended light fittings for shopping or industrial areas. The fittings can be connect to row by 3-poles connector. (The fittings are labelled TE... /3K)

Accessories:

- Reflectors REFTEAL, REFTEB, REFTEAS
- Cord suspension 54102

Versions:

- P continuous assembly (through wiring)
- 3K continuous assembly with 3-poles connector Wieland mini
- TP the fittings with PMMA lamp cover
- NZ emergency pack

	#	W	A	B	C	X	kg
TE118 #	N, K, EP, P, 3K, NZ	1x18	620	47	75	490	1,6
TE136 #	N, K, EP, P, 3K, NZ	1x36	1230	47	75	800	1,8
TE158 #	N, K, EP, P, 3K, NZ	1x58	1530	47	75	1200	2,2
TE114 (24) #	P, 3K	1x14 (24)	584	37	71	400	1,3
TE128 (54) #	P, 3K	1x28 (54)	1184	37	71	900	1,5
TE135 (49, 80) #	P, 3K	1x35 (49, 80)	1484	37	71	1200	1,9
TE214 (24) #	P, 3K	2x14 (24)	584	68	71	400	1,3
TE228 (54) #	P, 3K	2x28 (54)	1184	68	71	900	1,5
TE235 (49, 80) #	P, 3K	2x35 (49, 80)	1484	68	71	1200	1,9

	#	W	A	B	C	X	kg
TP118 #	N, K, EP, P, NZ	1x18	624	48	78	490	1,9
TP136 #	N, K, EP, P, NZ	1x36	1234	48	78	800	2,2
TP158 #	N, K, EP, P, NZ	1x58	1534	48	78	1200	2,5

– can be added to the basic code